

Tumble Dryer

JLTDH17

User manual

John Lewis

Contents

Safety instructions	3
Product description	6
Accessories	7
Control panel	9
Before first use	11
Programmes	12
Using the appliance	14
Hints and tips	17
Care and cleaning	19
Cleaning the primary filter	19
Draining the condensed water container	20
Cleaning the heat exchanger filters	21
Technical information	28
Installation	29
Permanent connection	30
Repairs - after sales service	32



Safety instructions

In the interest of your safety and to ensure the correct use, before installing and first using the appliance, read this user manual carefully, including its hints and warnings. To avoid unnecessary mistakes and accidents, it is important to ensure that all people using the appliance are thoroughly familiar with its operation and safety features. Save these instructions and make sure that they remain with the appliance if it is moved or sold, so that everyone using it through its life will be properly informed on appliance use and safety.



- Read the instruction manual before the appliance use.

General safety

- It is dangerous to alter the specifications or attempt to modify this product in any way.
- This appliance is not intended for use by persons (including children) with reduced physical and sensory conditions or lack of experience and knowledge, unless they have been given supervision or instruction concerning use of the appliance by a person responsible for their safety.
- Make sure that small children and pets do not climb inside the drum. To avoid this, please check into the drum before using.
- Any objects such as coins, safety pins, nails, screws, stones or any other hard, sharp material can cause extensive damage and must not be placed into the machine.
- Items such as foam rubber (latex foam), shower caps, waterproof textiles (if there is no special drying programme), rubber backed articles and clothes or pillows fitted with foam rubber pads must not be dried in the tumble dryer.
- Make sure that there is access to the mains plug after the installation.
- Always unplug the appliance after use, cleaning and maintenance.
- Under no circumstances should you attempt to repair the machine yourself. Repairs carried out by inexperienced persons may cause injury or serious malfunctioning. Contact your local Service Centre. Always insist on genuine spare parts.
- Items that have been soiled with substances such as cooking oil acetone, petrol, kerosene, spot removers, turpentine, waxes and wax removers should be washed in hot water with an extra amount of detergent before being dried in the tumble dryer.
- **Danger of explosion:** Never tumble dry items that have been in contact with inflammable solvents (petrol, methylated spirits, dry cleaning fluid and the like). As these substances are volatile, they could cause an explosion. Only tumble dry items washed with water.
- **Risk of fire:** items that have been spotted or soaked with vegetable or cooking oil constitute a fire hazard and should not be placed in the tumble dryer.
- If you have washed your laundry with stain remover you must execute an extra rinse cycle before loading your tumble dryer.
- Please make sure that no gas lighters or matches have accidentally been left in pockets of garments incase they are loaded into appliance
- The condensed water is not applicable to drink or to prepare food. It can cause health problems to people and pets.

- Do not seat or lean on the load door. The appliance can tilt.



Warning!

- **Risk of fire! To prevent from the risk of self combustion do not stop a tumble dryer before the end of the drying cycle unless all items are quickly removed and spread out so that the heat is dissipated.**
- **Lint must not be allowed to accumulate around the tumble dryer.**

- **Risk of electric shock!** Do not spray down the appliance with jets of water.
- The final part of a tumble dryer cycle occurs without heat (cool down cycle) to ensure that the items are left at a temperature that ensures that items will not be damaged.
- The tumble dryer is not to be used if industrial chemicals have been used for cleaning.
- Ensure you have good ventilation in the installation room to avoid the back flow of gases into the room from appliances burning other fuels, including open fires.

Installation

- This appliance is heavy. Be careful when you move the appliance.
- When unpacking the appliance, check that it is not damaged. If in doubt, do not use it and contact the Service Centre.
- All packaging must be removed before use. Dangerous damage can occur to the product and to property if this is not adhered to. See relevant section in the user manual.
- Each electrical work necessary to install this appliance must be done by a qualified electrician or competent person.

- The rear surface of the appliance must be put against the wall
- If the appliance is installed on the carpet or equivalent, adjust the feet. Air must flow freely below the appliance.
- After the appliance installation, check that it is not squeeze or stay on the electrical supply cable.
- If the tumble dryer is put on top of a washing machine, it is mandatory to use the stacking kit (optional accessory - see chapter: "ACCESSORIES").

Use

- This appliance is for domestic use only. It must not be used for other functions .
- Only dry fabrics which are applicable to dry in the tumble dryer. Follow the instructions on each piece of clothing label.
- Do not dry not washed items in the tumble dryer.
- Do not put more load than recommended. Obey the maximum load volume. See the related chapter in the user manual.
- Clothes which are dripping wet must not be put in the tumble dryer.
- Garments which have been in contact with volatile petroleum products should not be machine dried. If volatile cleaning fluids are used, care should be taken to ensure that the fluid is removed from the garment before placing in the appliance.
- Do not use the tumble dryer if the power supply cable, the control panel, the working surface or the base are damaged so that the inside of the tumble dryer is accessible.
- Fabric softener or equivalent products must be used as specified by the fabric softener manufacturer.
- Risk of fire! Do not dry the damaged items which contain padding or fillings (pillows, jackets, duvets, etc.). The padding or fillings can get out and cause the fire.

Child safety

- This machine is not intended for use by young children or infirm persons without supervision.
- Children often do not recognise the hazards associated with electrical appliances. Children should be supervised to ensure that they do not play with the appliance.



Warning!


- **Danger of suffocation! The packaging components (e.g. plastic film, polystyrene) can be dangerous to children - Keep them out of children's reach.**

-
- Keep all detergents in a safe place out of children's reach.
 - Make sure that children or pets do not climb inside the drum.

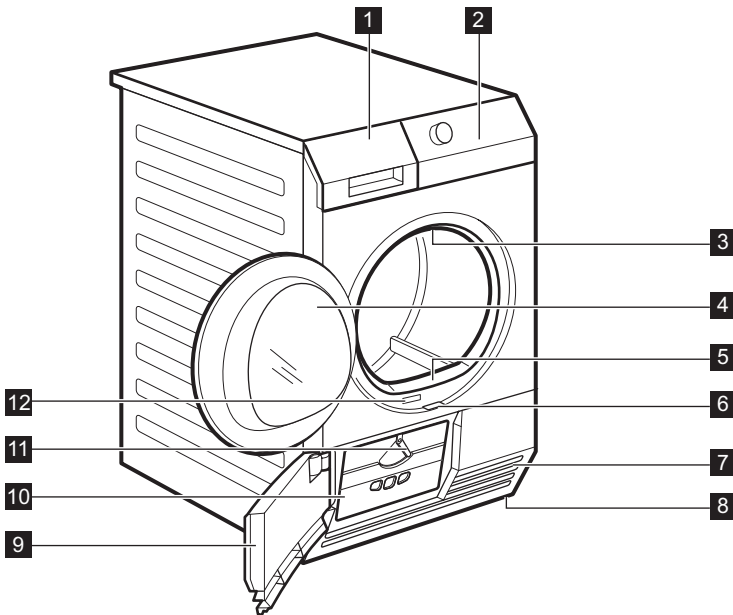
Discard the appliance

- Disconnect the mains plug from the mains socket.
- Cut off the mains cable and discard it.
- Discard the door catch. This prevents children or pets to be closed in the appliance. There is a risk of suffocation.

Packaging materials

Recycle the materials with the symbol . Put the packaging in applicable containers to recycle it.

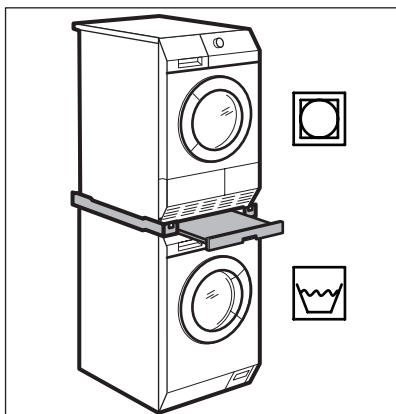
Product description



- 1** Water container
- 2** Control panel
- 3** Drum light
- 4** Load door (reversible)
- 5** Primary filter
- 6** Sliding button to open the heat exchanger door
- 7** Airflow slots
- 8** Adjustable feet
- 9** Heat exchanger door
- 10** Heat exchanger filters cover
- 11** Lock knob
- 12** Rating plate

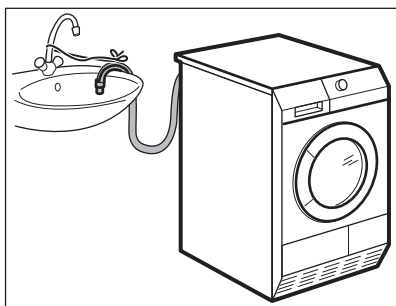
Accessories

Stacking kit



Accessory name: SKP11, STA8, STA9
Available from your authorized vendor. Stacking kit can be used only with the washing machines specified in the leaflet. See the leaflet attached. Read carefully the instructions supplied with the accessory.

Draining kit

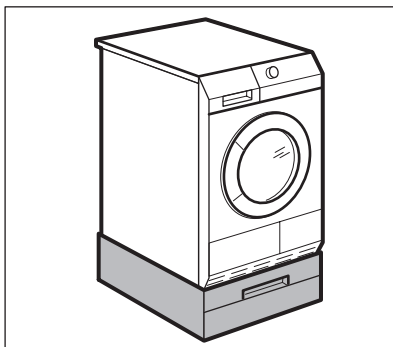


Accessory name: DK11.

It is available from your authorized vendor (can be attached to some types of the tumble dryers)
The accessory for through draining of the condensed water into a basin, siphon, gully, etc.
After the installation, the water container is drained automatically. The water container must stay in the appliance.

The installed hose must be on the height from minimum of 50 cm to maximum of 1 m from floor level. The hose cannot be in loop.
Decrease the length of the hose if necessary.
Read carefully the instructions supplied with the accessory.

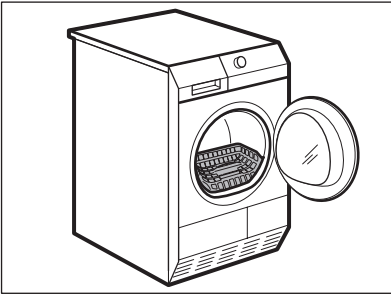
Pedestal with the drawer



Accessory name: PDSTP10.

It is available from your authorized vendor.
To put the appliance higher at the level which helps to easy load and remove the laundry.
The drawer can be used for laundry storage e.g. : towels, cleaning products and more.
Read carefully the instructions supplied with the accessory.

Drying rack



Accessory name: RA5, RA6, RA11, RA12

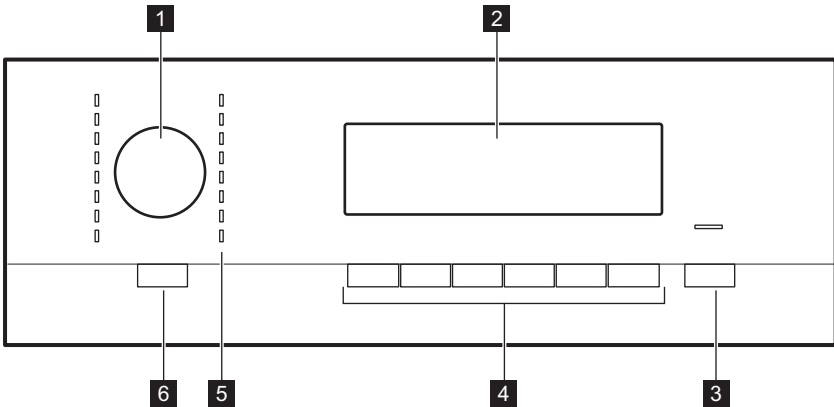
It is available from your authorized vendor (can be attached to some types of the tumble dryers). Do the check with the vendor or on the web site if the accessory is compatible with your appliance.

Drying rack accessory let to dry safely in the tumble dryer:

- sport shoes
- wool
- soft toys
- lingerie

Read carefully the instructions supplied with the accessory.

Control panel

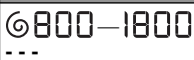









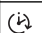


- 1** The programme dial
- 2** The display
- 3** The Start/Pause push button
- 4** The function push buttons
- 5** The programme indicators
- 6** The On/Off push button with the *Auto Off* function

Display



Symbol	Description
	extra dryness level: minimum, moderate, maximum
	anti-crease time: default, interval (30 min. - 120 min.)

Symbol	Description
	initial laundry centrifugation (800 — 1800 rpm) default
	buzzer activated
	child lock activated
	time drying function activated
	<i>drain the water container</i> indicator
	<i>clean the primary filter</i> indicator
	<i>clean the heat exchanger filters</i> indicator
	drying cycle phase indicator
	cooling cycle phase indicator
	crease guard cycle phase indicator
	delay start activated
2.00	cycle time
10' - 2.00	time programme interval (10 min. - 2h.)
30' - 20h	delay start interval (30 min. - 20h.)

Before first use











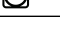
Clean the tumble dryer drum with a moist cloth or set a short programme (e.g. 30 minutes time programme) with the load of moist cloths.





Caution!

The compressor and its system in the tumble dryer is filled with the special agent which is free from fluoro-chloro-hydrocarbons. This system must stay tight. The damage of the system can cause the leakage and damage of the appliance. At the beginning of drying cycle (3-5 min.) there could be a slightly higher sound level. It is because of start of the compressor that is normal for compressor powered appliances such: refrigerators, freezers .

Programmes

Programmes	Load ¹⁾	Properties	Available functions	Fabric mark
Cottons				
Extra dry	8 kg	To dry cotton pieces of clothing. Drying level: extra dry.	all except Time dry	
Cupboard dry ²⁾	8 kg	To dry cotton pieces of clothing. Drying level: cupboard dry.	all except Time dry	
Iron dry ²⁾	8 kg	To dry cotton pieces of clothing. Drying level: applicable to iron.	all except Time dry	
Quiet	8 kg	To gently dry cotton pieces of clothing with the noise decreased to the minimum. The programme can be used at night.	all except Time dry	
Extra programmes				
Heavy cotton	8 kg	To dry leisure clothing such as jeans, sweat-shirts of different material thicknesses (e.g. at the neck, cuffs and seams).	all except Time dry	
Blanket	3 kg	To dry single or double duvet and pillows (with feather, down or synthetic fillings).	all except Anticrease and Time dry	
Time	8 kg	To dry laundry with the time set by the user. The time value must be related to the load. To dry one item or small quantities of the laundry we recommend to use short times.	all except Dry plus and Wash spin speed	
Quick	3 kg	To dry cotton and synthetic fabrics, uses low temperature.	all except Time dry	
Synthetics				
Extra dry	3,5 kg	To dry synthetic pieces of clothing. Drying level: extra dry.	all except Time dry	
Cupboard dry ²⁾	3,5 kg	To dry synthetic pieces of clothing. Drying level: cupboard dry.	all except Time dry	
Iron dry	3,5 kg	To dry synthetic pieces of clothing. Drying level: applicable to iron.	all except Time dry	
Extra programmes				

Programmes	Load ¹⁾	Properties	Available functions	Fabric mark
Easy iron	1 kg (or 5 shirts)	To dry easy care fabrics such shirts and blouses; for minimum ironing effort. The results can be different for to the different types of fabric and its finish. Put fabrics in the tumble dryer straight. After the cycle, immediately remove dried fabrics and put on a cloths hanger.	all except Time dry	
Sports heavy	2 kg	To dry outdoor pieces of clothing, technical, sports, pile fabrics, waterproof and breathable jackets, shell jacket teamed with a removable fleece or inner insulation.	all except Anticrease and Time dry	
Sports light	2 kg	To dry sportswear, thin and light fabrics, microfiber, polyester, which are not ironed.	all except Time dry	
Silk/Lingerie	1 kg	To dry silk/lingerie with warm air and gentle movement.	all except Anticrease and Time dry	
Wool	1 kg	To dry the cloths made of wool . The cloths become soft and cosy. We recommend to remove the cloths immediately after the programme end. To increase or to decrease the level of the remaining moisture of the laundry you can use the function Dry plus .	Dry plus , Alarm , Time dry ³⁾ , Delay start	

1) maximal weight of dry clothes

2) For test institutes only:

To make a performance test use the standard programmes which are specified in the EN 61121 document. If is necessary to correct the remaining moisture level of the laundry, adjust the programme with the Dry plus function .





You must clean the heat exchanger filters after each 3 cycles.

3) Only with the drying rack — see chapter ACCESSORIES

Using the appliance

Preparing the laundry

Important! Dry only the laundry applicable to dry in the tumble dryer. Make sure if the laundry is applicable to dry in the tumble dryer. Do the check of the fabric mark on the clothes.

Fabric mark	Property
	Applicable to dry in the tumble dryer
	Applicable to dry in the tumble dryer at standard temperature
	Applicable to dry in the tumble dryer at decreased temperature
	Not applicable to dry in the tumble dryer

Correctly prepare the laundry:

- close zips, button up duvet covers and attach loose ties or ribbons (e.g. ribbons of aprons) - laundry can tangle
- make sure the pockets are empty - remove metal items (paper clips, safety pins, etc.).
- turn items with 2 fabric layers inside out (e.g. cotton lined anoraks, the cotton fabric layer must be external).

Dry only:

- cotton and linen with Cottons programmes
- synthetic and mixtures with Synthetic programmes
- separately the strong coloured textiles and the light coloured textiles - colours can bleed
- cotton jersey and knitwear only with the applicable programmes - items can shrink

Important! Do not put more laundry than the maximum load which is 8kg.

Loading the laundry

1. Pull the appliance door
2. Load loosely the laundry.
3. Close the appliance door.



Caution! Do not lock the laundry in between the appliance door and rubber seal.

Switching on the appliance

Push the On/Off button to activate or to deactivate the appliance. When the appliance is on, some indications come in to the view on the display.

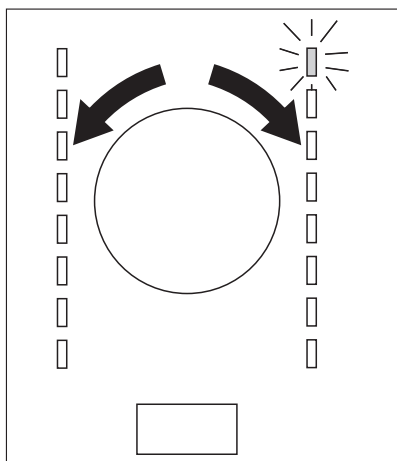
Auto Off function

To decrease the energy consumption, the *Auto Off* function deactivates automatically the appliance:

- if the Start/Pause button was not pushed in the time of 5 minutes.
- after 5 minutes from the programme end.

Push the On/Off button to activate the appliance.

Setting a programme



Use the programme dial to set the programme. The possible time to complete the programme come into view on the display.

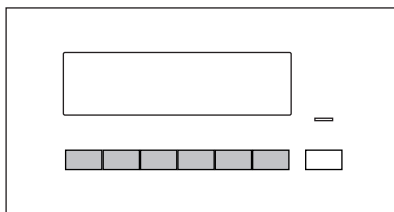


The drying time you see is related to the load of 5 kg for cotton and jeans programmes. For the other programmes the drying time is related to the recommended loads. The drying time of the cotton and jeans programmes with the load more than 5 kg is longer.

Special functions

Together with the programme you can set 1 or more special functions.

To activate or deactivate the function push the applicable push button.



When the function is activated the applicable symbol comes into the view on the display.

The Dry plus function

This function helps to get the laundry more dried. There are 3 possible selections: minimum - the default selection which is related to the programme. moderate — the selection to get the more dried laundry. maximum — the selection to get the much more dried laundry.

The Anticrease function

Extends of 30, 60, 90 or 120 minutes the standard anticrease phase (30 minutes) at the end of the drying cycle. This function prevents the laundry from creases. The laundry can be removed during the anticrease phase.

The Wash spin speed function

This function helps to set the best condition to dry the laundry. If you know the initial spin speed when you washed you can use this function. Higher spin speed causes that the laundry contains less water.

The Alarm function

When the buzzer function is activated you can hear the buzzer at the:

- cycle end
- anti-crease phase start and end

- cycle interruption

The buzzer function is by default always on. You can use this function to activate or deactivate the sound.

The Time dry function

Operates only with the Time programme. Lets the user to set special time of drying programme from minimum 10 min. to maximum of 2 hours (in 10 min. steps).


The Delay Start function



Let to delay the start of a drying programme from minimum of 30 minutes to maximum of 20 hours.

1. Set the drying programme and functions.
2. Push the Delay start button again and again until the necessary time of the delay come into the view on the display (e.g. 12h if the programme has to start after 12 hours.)
3. To activate the Delay start function, push the Start/Pause button. The time to start decreases on the display.

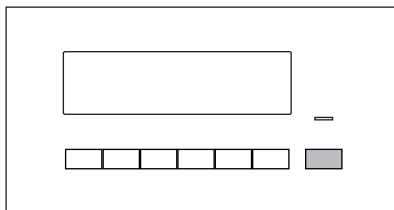
Child lock function

The child lock can be set to prevent the children to play with the appliance. The child lock function locks all push buttons and the programme dial (this function does not lock On/Off button). To activate the child lock function push the Dry plus and Anticrease buttons at the same time until the symbol  come into view on the display. To deactivate push again the above buttons until the symbol go out of view.

You can activate the child lock function:

- before you push the Start/Pause button - the appliance cannot start
- after you push the Start/Pause button - all the push buttons and the programme dial are deactivated

Starting a programme




To activate the programme push the button as on the illustration. The LED above the button illuminates in red colour.

Change a programme

To change a programme, push the On/Off button to deactivate appliance. Push the On/Off to activate the appliance and then set the programme again.

At the end of programme

When the drying cycle is completed, the  symbol flashes on the display. If the Alarm function is on, an acoustic signal sounds intermittently for one minute.

To remove the laundry:

1. Push the On/Off button for 2 seconds to deactivate the appliance.
2. Open the appliance door.
3. Remove the laundry.
4. Close the appliance door.

Important! After each drying cycle:

- clean the filter
 - drain the water container
- (See chapter *CARE AND CLEANING*.)

Hints and tips

Ecological hints

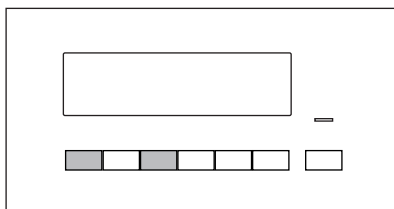
- Do not use fabric softener to wash and then dry. In the tumble dryer laundry becomes soft automatically.
- Use the condensate as distilled water, e.g. for steam ironing. If it is necessary clean the condensate before (e.g. with a coffee filter) to remove possible small pieces of fluff.
- Always keep the airflow slots on the bottom of the appliance clear.
- Use the load volumes which are specified in the programmes chapter.
- Make sure that is good airflow in the appliance installation position.
- Clean the primary filter after each drying cycle.
- Clean the heat exchanger filters when the applicable indicator comes into the view on the control panel.
- Spin good the laundry before drying.

Water hardness and conductivity

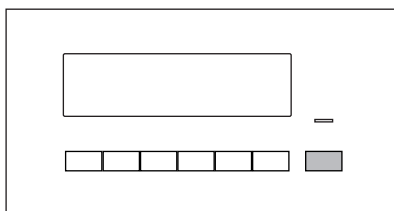
Water hardness can be different for different locations. Water hardness has an effect on the water conductivity and the operation of the conductivity sensor in the appliance. If you know the value of the water conductivity you can adjust the sensor to dry with the better results.

To change the sensor conductivity:

1. Turn the programme dial to available programme.
2. Push at the same time 2 buttons (see the illustration). Hold down until one of the symbols come into view on the display:




- [] low conductivity <300 $\mu\text{S}/\text{cm}$
 - [] moderate conductivity 300-600 $\mu\text{S}/\text{cm}$
 - [] high conductivity >600 $\mu\text{S}/\text{cm}$
3. Push the button again and again until you set necessary level (see the illustration).



4. To memorise the setting push at the same time 2 buttons as are specified in the point 2.

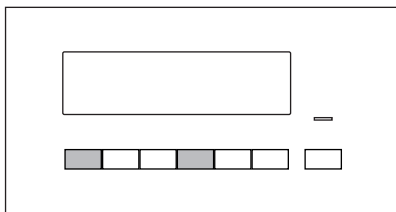
Water container full — indication







By default the indication  is always on. It comes into the view at the end of the cycle or when the water container is full. When you use an external equipment to drain the container, the indication can be off.

To activate or deactivate the indication:

1. Turn the programme dial to available programme.


2. Push at the same time 2 buttons (see the illustration) and hold down until you see the correct setting:



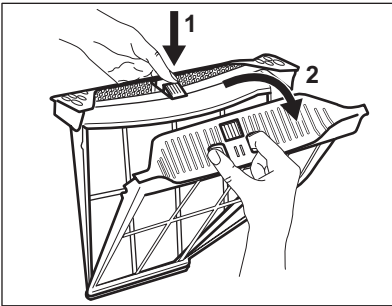
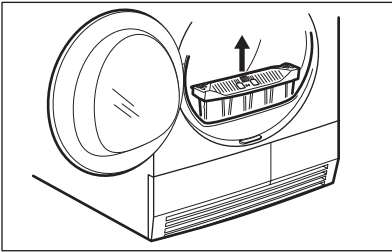
- the indication  is off and the indicator  comes into the view — the indication  is permanently off
- the indication  is on and the indicator  comes into the view — the indication  is activated

Care and cleaning

Cleaning the primary filter

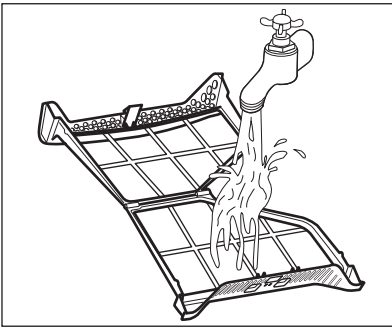
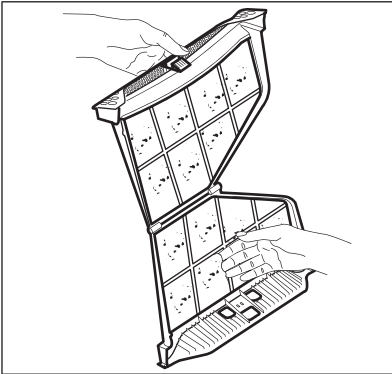
At the end of each cycle the indicator  (*clean the primary filter*) is on to tell you that the primary filter must be cleaned.

To clean the primary filter:



The filter collects the fluff. The fluff occurs while the cloths are dried in the tumble dryer.

1. Open the door.
2. Pull the filter.
3. Open the filter.



4. Use a moist hand to clean the filter.
5. If necessary clean the filter with warm water using a brush.
Close the filter.
6. Remove fluff from the filter socket. For this a vacuum cleaner can be used.
7. Put the filter inside the filter socket.




Caution! Do not operate the tumble dryer without the primary filter or with damaged or blocked filter.

Important! Clean the primary filter after each drying cycle. Clogged filter increases the cycle time and causes higher energy consumption.

Draining the condensed water container

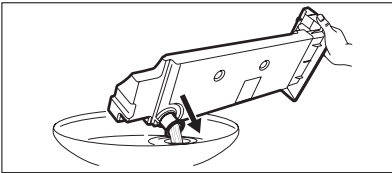
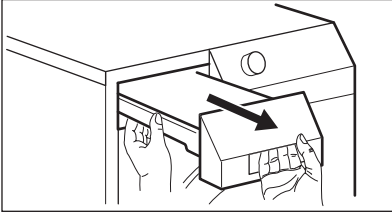
Drain the condensed water container after each drying cycle.

If the condensed water container is full, the programme breaks off automatically and the indicator  *drain the condensed water container* is on. To continue the programme, drain the condensed water container and press the start button.



To drain the condensed water container automatically you can install draining accessory (see chapter: *ACCESSORIES*)

To drain the condensed water container:



1. Pull the condensed water container and keep it in horizontal position.
2. Move the plastic connection out and drain the condensed water container into a sink or equivalent receptacle.
3. Move plastic connection in and install water container.




Warning! Risk of poisoning. The condensed water is not applicable to drink or to prepare food.



The condensed water can be used as distilled water, e.g. for steam ironing. If necessary filter the condensed water (e.g. with a coffee filter) to remove possible residue and small pieces of fluff.

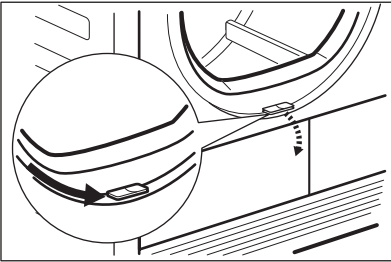
Cleaning the heat exchanger filters

If the indicator  *clean the heat exchanger filters* is on, the filters must be cleaned.

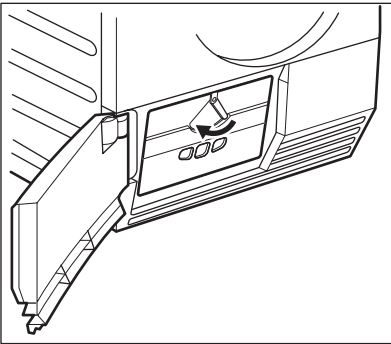
The frequency to clean the filters is related to the laundry type and its quantity.

If you dry with the maximum load, clean the filters after each 3 cycles.

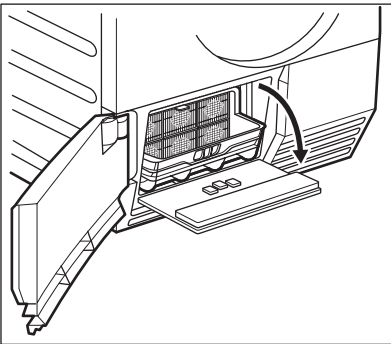
To clean the filters:



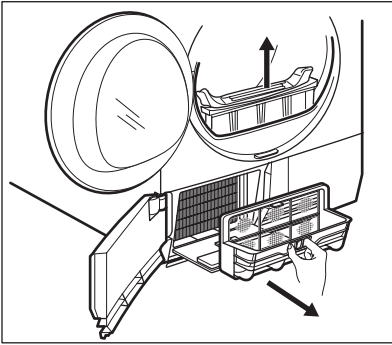
1. Open the loading door.
2. Move the release button on the bottom of the door opening and open the heat exchanger door.



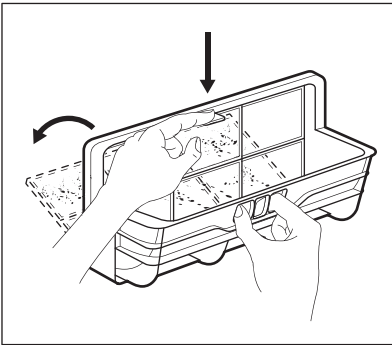
3. Turn the blockage to unlock the heat exchanger cover.



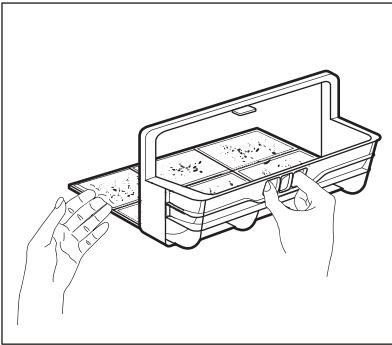
4. Lower the heat exchanger filters cover.



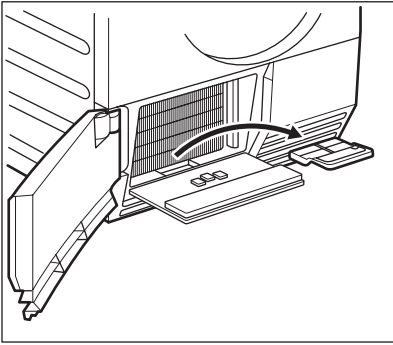
5. Lift the primary filter. Hold the heat exchanger filter and pull it out from the bottom compartment.



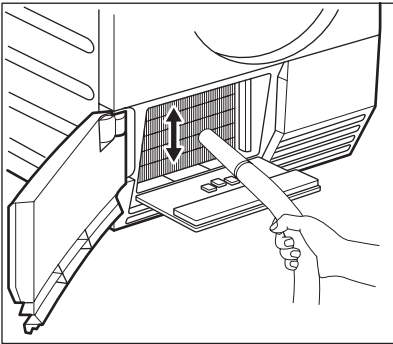
6. Push the hook to open the filter.



7. Use a moist hand to clean the filter. If necessary clean the filter with warm water using a brush. Close the filter.



8. Clean the small filter from the base



9. If necessary, one time for each 6 months, remove the fluff from the heat exchanger compartment. You can use a vacuum cleaner.
10. Put the small filter and heat exchanger filter back.
11. Close the heat exchanger cover.
12. Lock the blockage until it snaps.
13. Close the heat exchanger filters cover.
14. Close the heat exchanger door.
15. Put the primary filter.



Caution! Do not operate the tumble dryer when the heat exchanger filters are blocked with fluff. This could cause the damage to the tumble dryer. This also increases energy consumption.

Do not use sharp objects to clean the heat exchanger compartment.

Do not operate the tumble dryer without the filters.

Cleaning the drum



Warning! Disconnect the appliance before you clean it.

Use a standard neutral soap detergent to clean the inner surface of the drum and drum ribs. Dry the cleaned surfaces with a soft cloth.



Caution! Do not use abrasive materials or steel wool to clean the drum.

Cleaning the control panel and housing

Use a standard neutral soap detergent to clean the control panel and housing.

Use a moist cloth to clean. Dry the cleaned surfaces with a soft cloth.



Caution! Do not use furniture cleaning agents or cleaning agents which can cause corrosion to clean the appliance.

Something not working

Problem ¹⁾	Possible cause	Remedy
The tumble dryer does not operate.	The tumble dryer is not connected to mains supply.	Connect in at mains socket. Check fuse in fuse box (domestic installation).
	The loading door is opened.	Close the loading door.
	The Auto/Off button was not pushed.	Push the Auto/Off button.
	The Start/Pause button was not pushed.	Push the Start/Pause button.
	The appliance is in the standby mode.	Push the Auto/Off button.
Unsatisfactory drying results.	Incorrect programme selection.	Do the selection of the applicable programme. ²⁾
	The filter is clogged.	Clean the filter. ³⁾
	The Dry Plus function was in minimum mode.	Change the Dry Plus function to the moderate or maximum mode.
	The heat exchanger filters are clogged.	Clean the heat exchanger filters. ³⁾
	Too high volume of the load.	Obey the maximum load volume.
	The airflow grill is clogged.	Clean the airflow grill in the bottom of the appliance.
	Dirt on the inner surface of the drum.	Clean the inner surface of the drum.
Too high water hardness.	Set applicable water hardness ⁴⁾ .	
The door does not close.	The filter not locked in the position.	Put the filter in the correct position.
	The laundry is locked between the door and the seal.	Put the load correctly in the drum.
Err (Error) on the display.	You try to change the programme or the function after the start of the cycle.	Turn the tumble dryer off and on. Make the new selection.
	The function you try to activate is not applicable with the selected programme.	Turn the tumble dryer off and on. Make the new selection.
No drum light	Defective drum light.	Contact the service centre to replace the drum light.
Abnormally elapsing time on the display.)	The time to end is calculated on the basis of the volume and dampness of the laundry.	The automatic procedure — this is not the appliance malfunction.
Programme inactive.	The water container is full.	Drain the water container ³⁾ , push the Start/Pause button.

Problem ¹⁾	Possible cause	Remedy
Drying cycle too short.	Too small laundry volume.	Do the selection of time programme. The time value must be related to the load. To dry one item or small quantities of the laundry we recommend to use short times.
	The laundry is too dry.	Do the selection of time programme or higher drying level (e.g. Extra Dry)
Drying cycle too long ⁵⁾	The filters are clogged.	Clean the filters.
	Too high volume of the load.	Obey the maximum load volume.
	The laundry not spun sufficiently.	Spin correctly the laundry.
	Very high room temperature - this is not the appliance malfunction.	If possible, lower the room temperature.

1) If there is an error message on the display (e.g. **E51**): Turn the tumble dryer off and on. Make a selection of the new programme. Push the Start/Pause button. Does not operate? - contact the service centre and give the error code.

2) follow the programme description — see *PROGRAMMES* chapter

3) see *CARE AND CLEANING* chapter

4) see section *WATER HARDNESS* in *HINTS AND TIPS* chapter

5) Note: After maximum 5 hours the drying cycle ends automatically (see *Drying cycle complete* section).

Drum internal lamp

This appliance has an internal lamp that comes on when you open the door and goes off when the door is closed.



Warning! Do not look directly into the beam of the lamp.

Important! To replace the internal lamp, contact the service centre.

Disconnect the mains plug from the mains socket before the replacement of the internal lamp.

Technical information



height x width x depth	850 x 600 x 600 mm (maximal 640 mm)
drum volume	118 l
maximum depth with the load door opened	1090 mm
maximum width with the load door opened	950 mm
adjustable height	850 mm (+ 15 mm - feet regulation)
the appliance weight	53 kg
maximum load volume	8 kg
voltage	230-240 V
frequency	50 Hz
necessary fuse	13 A
total power	900 W
energy efficiency class	A
energy consumption kWh/cycle ¹⁾	2,1 kWh
annual energy consumption ²⁾	121,6 kWh
type of use	Domestic
permitted ambient temperature	+ 5°C to + 35°C

1) 8 kg of cotton, centrifuged at 1000 rpm with reference to EN 61121

2) The sum of approximate energy consumption to dry:

150 kg of the cotton laundry with *cupboard dry* programme

+ 280 kg with *iron dry* programme

+ 150 kg of synthetic laundry with *cupboard dry* programme.

This is approximate consumption for the 4 person household which correctly use the tumble dryer.

Installation

Appliance positioning

- The tumble dryer must be installed in a clean position, where dirt does not collect.
- Air must flow freely around the appliance. Make sure that the front airflow slots in the bottom of the appliance are not blocked.
- To keep vibration and noise at the minimum, when the tumble dryer operates, it must be put on a stable and flat surface.
- When the appliance is put in its permanent position, check if it is fully level with the aid of a spirit level. If it is not, adjust the feet until it is.
- Do not remove the feet. Do not decrease the floor clearance through thick carpets, bar of wood or equivalent. This can increase the heat which can cause interference with the operation of the appliance.

Important!

- **The temperature of the hot air which occurs in the tumble dryer can increase to 60 °C. The appliance must not be installed on the floor which is not resistant to high temperatures.**
- **When the tumble dryer operates, the room temperature must not be lower than +5 °C and higher than +35 °C. This can cause unwanted effect on the performance of the appliance.**
- **If it is necessary to move the appliance, it must be moved vertically.**
- **The appliance must not be installed behind a lockable door, a sliding door, a door with a hinge on the opposite side to that of the appliance in such a way that a full opening of the tumble dryer is restricted.**

Unpacking

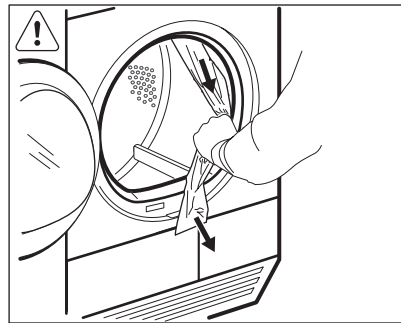


Caution!

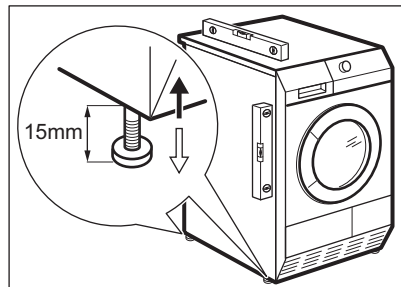
Before use all parts of the transport packaging must be removed.

To remove the polystyrene blockages:

1. Open the load door.
2. Pull plastic hose with the polystyrene blockages out from the drum.

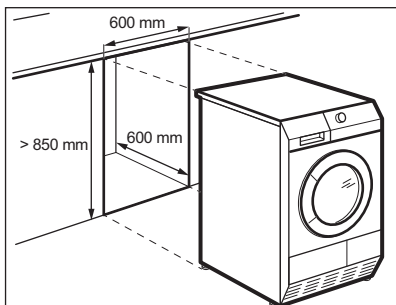


It is possible to adjust the height of the tumble dryer. To do that adjust the feet (see picture).



Installation under a counter

The appliance can be installed as freestanding or below the kitchen counter with correct space (see picture).



The load door reversal

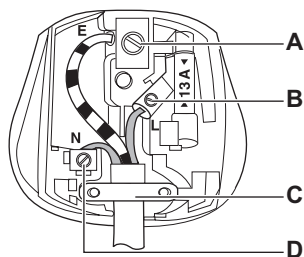
The load door can be installed by the user in the opposite side. It can help to easily put and remove the laundry or if there is a limit to install the appliance. (see separate leaflet).

Electrical connection

- Connect the appliance to a grounded socket. Refer to the applicable electrical requirements.
- Make sure that the electrical data on the rating plate agrees with the power supply.
- Always use a correctly installed shockproof socket.
- Do not use multiple plugs and extension cables. There is a risk of fire.
- All replacements of power supply cable must be carried out by our Service.
- Make sure not to squash or cause damage to the mains plug and cable behind the appliance.
- Do not pull the mains cable to disconnect the appliance. Always pull the mains plug.
- The plug must be dry.

The data about mains voltage, type of current and the necessary fuse are on the rating plate and in the “TECHNICAL INFORMATION” chapter. The rating plate is behind the load door (see the “PRODUCT DESCRIPTION” chapter). The appliance has a power supply cable with plug fitted with 13 A fuse. If necessary, replace the fuse in the plug by 13 A ASTA BS 1363/A approved fuse.

The wires in the power supply cable are coloured as follow:



A) green and yellow - ground — earth (**E**)

B) brown - live (**L**)

C) cord clamp

D) blue - neutral (**N**)

The green and yellow coloured wire must be connected to the terminal with **E** mark or the ground \perp mark or the green and yellow coloured terminal.

The blue coloured wire must be connected to the terminal **N** or black coloured .

The brown coloured wire must be connected to the terminal **L** or red coloured .

The wires of the cable must be no cut or stray strands of wire present and the cable clamp must be secure over the outer sheath.

Permanent connection

The necessary condition of permanent connection is to install a double-pole isolating switch directly on the supply terminals.

The type of switch must be correct for the necessary load and must align with applicable electrical requirements.

The switch must not break the yellow and green coloured ground wire.

Repairs - after sales service

Your appliance comes with a three year warranty. If it is not working correctly refer to "Something not working". If a fault occurs which you can not resolve through following the advice and information contained within this instruction manual, the next step is to contact John Lewis technical support on:

0844 871 7771

They will give you details for your local service engineer. Before calling out an engineer, please ensure you have read the details under the heading "Something not working".

When you contact your local service engineer you will need to give the following details:

1. Your name, address and post code
2. Your telephone number
3. Clear and concise details of fault
4. The purchase date as found on your receipt
5. The model and serial number of the appliance. So that you always have these numbers at hand, we recommend you to make a note of them here:

- Mod.....
- P.N.C.....
- S.N.....

IMPORTANT : If you call out an engineer to a fault listed under the heading "Something not working", or to repair a fault caused by incorrect use or installation, a charge will be made even if the appliance is under guarantee.

Spare parts

Always insist on genuine spare parts.

An authorised service engineer should service this product, and only genuine spare parts should be used. Under no circumstances should you attempt to repair the appliance yourself. Repairs carried out by inexperienced persons may cause injury or serious malfunctioning. Please contact John Lewis technical support on 0844 871 7771 for assistance

John Lewis, Oxford Street 020 7629 7711

Peter Jones, Sloane Square 020 7730 3434

John Lewis, Brent Cross 020 8202 6535

John Lewis, Kingston 020 8547 3000

John Lewis, Aberdeen 01224 625000

John Lewis, Bluewater 01322 624123

John Lewis, Cambridge 01223 361292

John Lewis, Cardiff 02920 536000

John Lewis, Cheadle 0161 491 4914

John Lewis, Cribbs Causeway 0117 959 1100

John Lewis at home, Croydon 020 8662 4730

John Lewis, Edinburgh 0131 556 9121

John Lewis, Glasgow 0141 353 6677

John Lewis, Home and Leisure,
High Wycombe 01494 462666

John Lewis, Leicester 0116 242577

John Lewis, Liverpool 0151 709 7070

John Lewis, Milton Keynes 01908 679171

John Lewis, Newcastle upon Tyne 0191 232
5000

John Lewis, Norwich 01603 660021

John Lewis, Nottingham 0115 941 8282

John Lewis, Peterborough 01733 344644

John Lewis at home, Poole 01202 756020

John Lewis, Reading 0118 957 5955

John Lewis, Sheffield 0114 276 8511

John Lewis, Solihull 0121 704 1121

John Lewis, Southampton 023 8021 6400

John Lewis, Stratford (Opening 2011)

John Lewis at home, Swindon 01793 733180

John Lewis, Trafford 0161 491 4040

John Lewis at home, Turnbridge Wells
01892 506830

John Lewis, Watford 01923 244266

John Lewis, Welwyn 01707 323456

**John Lewis electrical
appliances are also available
in Waitrose Food and Home**

Canary Wharf 020 7719 0300

Cheltenham 01242 241425

Rushden 01933 355099

Salisbury 01722 329429

Southend 01702 603403

© All rights reserved.



136920730-B-302012